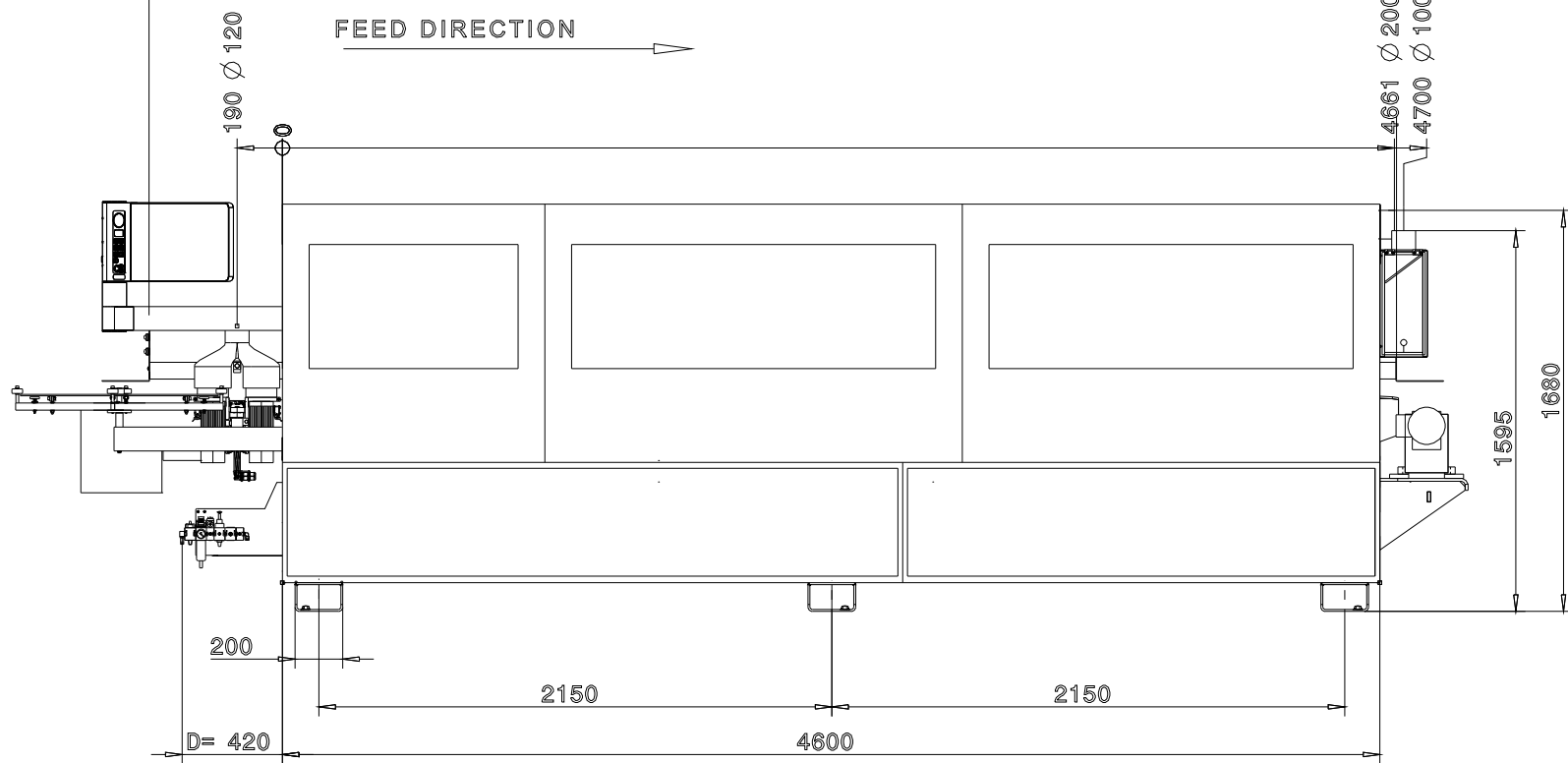
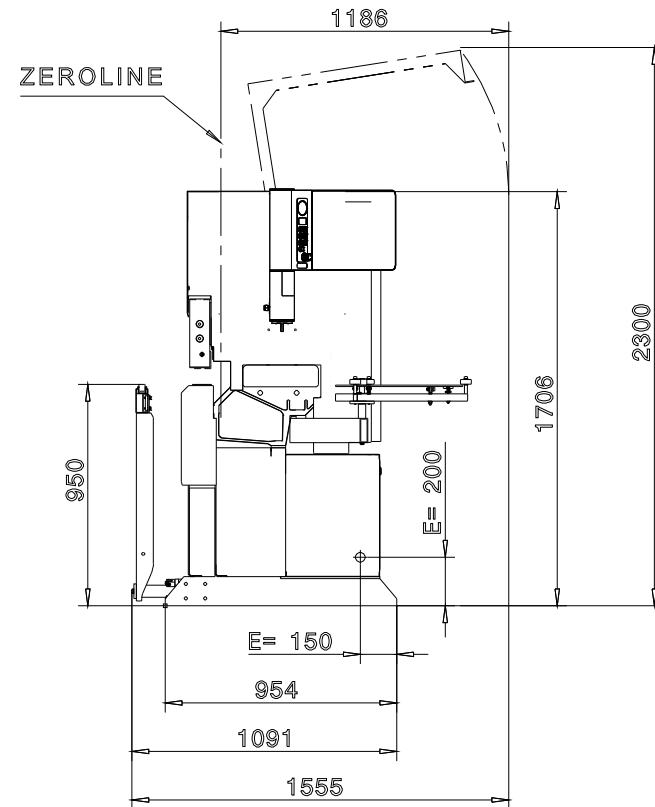


1	2	3	4	5	6	7	8
9	10	11	12	13	14	15	16
17	18	19	20	21	22	23	24
25	26	27	28	29	30	31	32
33	34	35	36	37	38	39	40
41	42	43	44	45	46	47	48
49	50	51	52	53	54	55	56
57	58	59	60	61	62	63	64
65	66	67	68	69	70	71	72
73	74	75	76	77	78	79	80
81	82	83	84	85	86	87	88
89	90	91	92	93	94	95	96
97	98	99	100	101	102	103	104
105	106	107	108	109	110	111	112
113	114	115	116	117	118	119	120
121	122	123	124	125	126	127	128
129	130	131	132	133	134	135	136
137	138	139	140	141	142	143	144
145	146	147	148	149	150	151	152
153	154	155	156	157	158	159	160
161	162	163	164	165	166	167	168
169	170	171	172	173	174	175	176
177	178	179	180	181	182	183	184
185	186	187	188	189	190	191	192
193	194	195	196	197	198	199	200

5229 PRESSURE BEAM

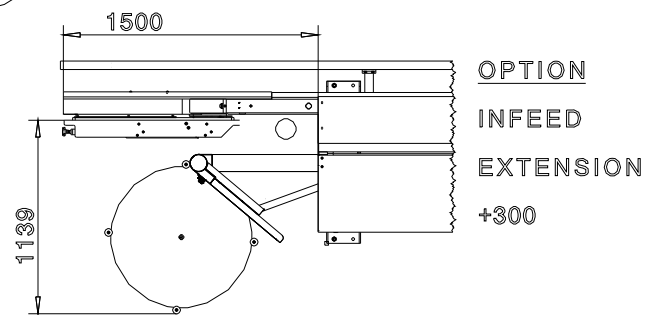
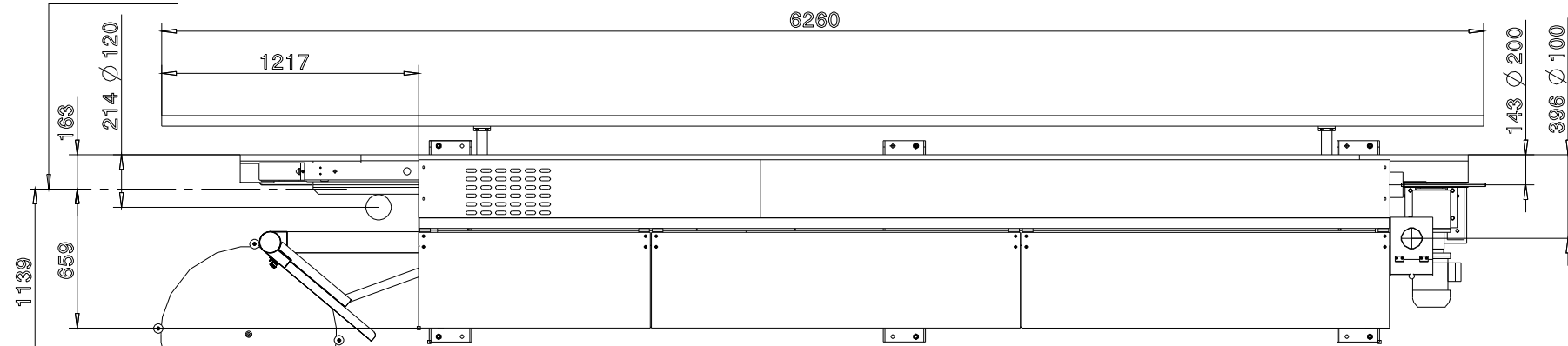


FUSE	RECOMMENDED BACK-UP FUSE					
	CROSS-SECTIONAL AREA ..MM2					
	16 A	20 A	25 A	35 A	50 A	63 A
LINE LENGTH						
- 10 M	2.5 MM2	2.5 MM2	4.0 MM2	6.0 MM2	10.0 MM2	16.0 MM2
10 - 20 M	2.5 MM2	4.0 MM2	4.0 MM2	6.0 MM2	10.0 MM2	16.0 MM2
20 - 30 M	2.5 MM2	4.0 MM2	6.0 MM2	10.0 MM2	16.0 MM2	16.0 MM2

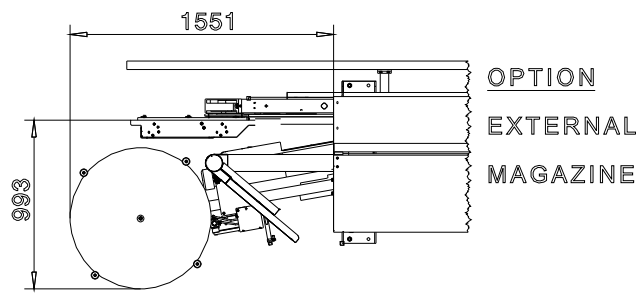


- E= ELECTRIC SUPPLY
OPERATING VOLTAGE
400V - 3PH - 50HZ
- TOTAL CONNECTED LOAD
24 KW
- NOMINAL CURRENT
35 A
- WEIGHT
CA. 2940KG
- D= COMPRESSED AIR CONECTION
6BAR / ø1/4"
- TOTAL DUST EXTRACTION CAPACITY
5090 M3/H
- AIR VELOCITY
28M/SEC
- PRESSURE LOSS
CA. 2000PA
- AIR CONSUMPTION
350 NL/MIN

ZEROLINE



OPTION
INFEED
EXTENSION
+300



OPTION
EXTERNAL
MAGAZINE

Disegnatore: FerWood spa
 Titolo: 005503_MA
 Descrizione: Single Sided Edgebander BRANDT KDF 660
 Foglio: A3

FerWood®
 BRILLIANT SOLUTIONS FOR WOOD
 FerWood spa - Via Langhe 4/A 1204~ Pollenzo (CN) Italy
 Tel. +39 0172 474073 - fax: +39 0172 471442
 email: info@ferwoodgroup.com