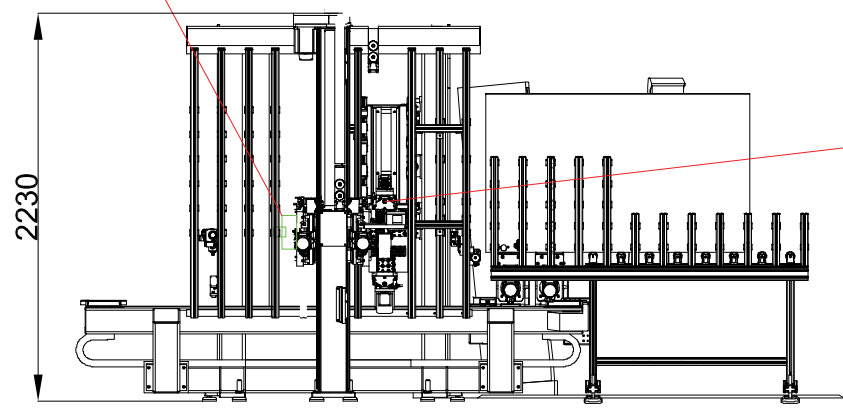
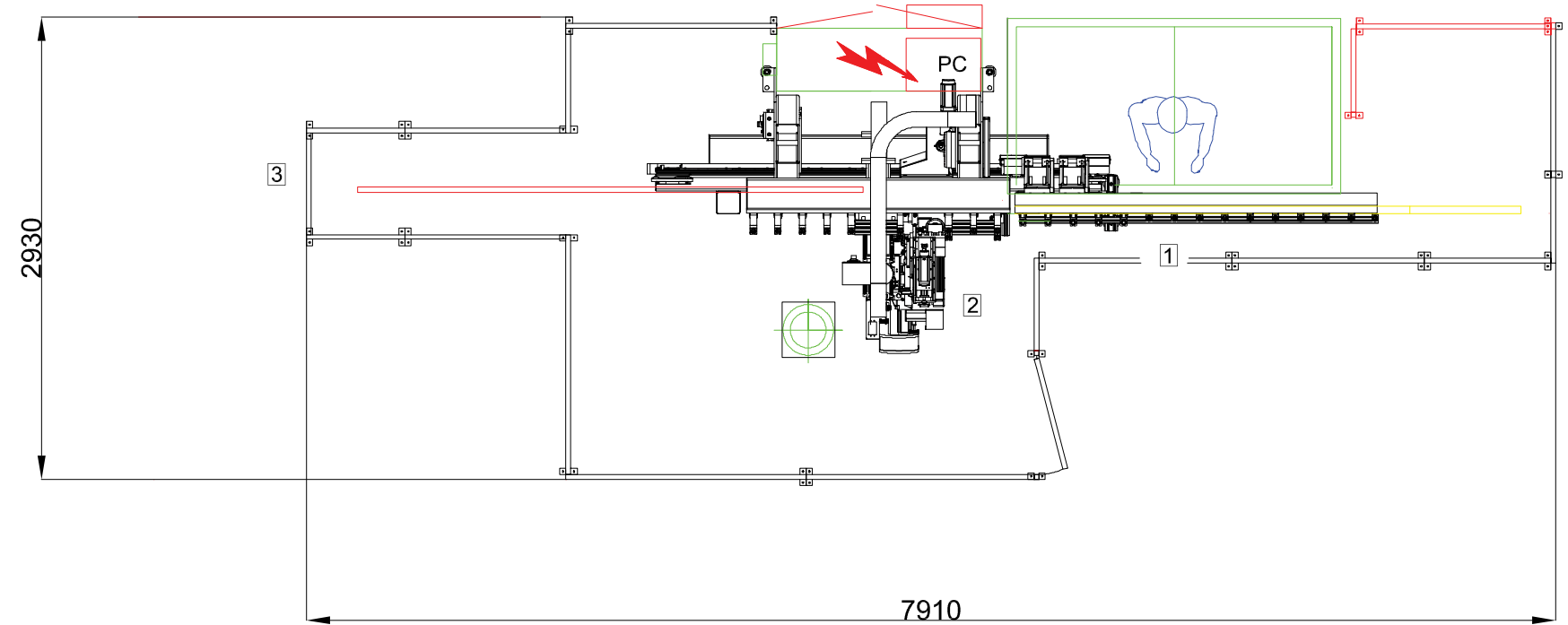


GLUE AND DOWEL INSERTING UNIT



- 1 SELF-SELECTING DRILLING UNIT 6+7x32
- 3 SPINDLES FOR HEAD & TAIL DRILLING
- 1 SPINDLE FOR UPPER & LOWER DRILLING
- 1 SAWING UNIT Ø 120
- 1 ROUTING UNIT
- 1 HINGE BORING UNIT



Disegnatore: <b>FerWood s.p.a.</b>	
Titolo: 008200_La	
Descrizione: <b>BREMA EKO 902 INS</b> Vertical panel machine center	
Data: 04/05/2026	Sistema:
Foglio: A3	

**FerWood**<sup>®</sup>  
**BRILLIANT SOLUTIONS FOR WOOD**  
 FerWood spa - Via Langhe 4/a 12042 Pollenzo (CN) Italy  
 Tel. +39 0172 474073 - Fax. +39 0172 471442  
 email: [info@ferwoodgroup.com](mailto:info@ferwoodgroup.com)