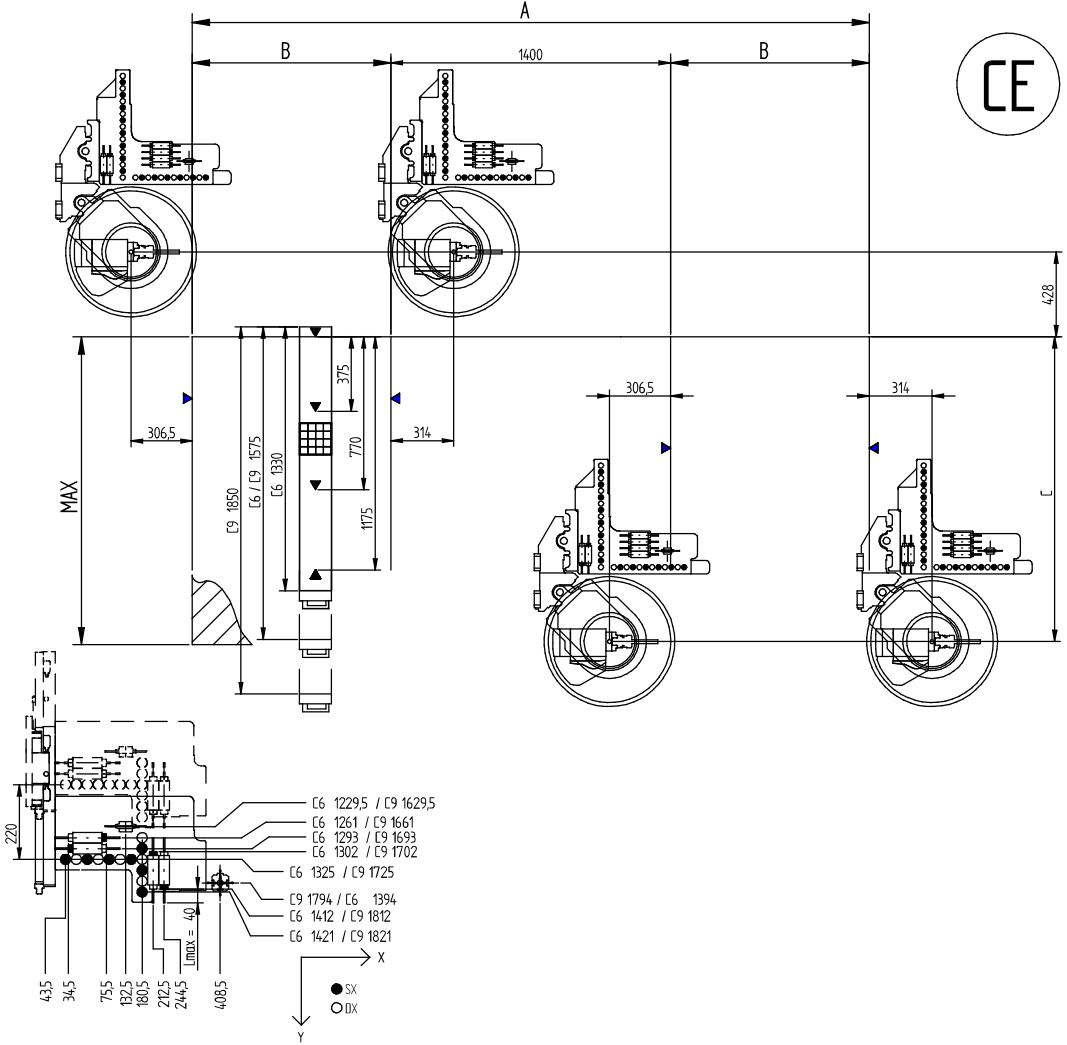
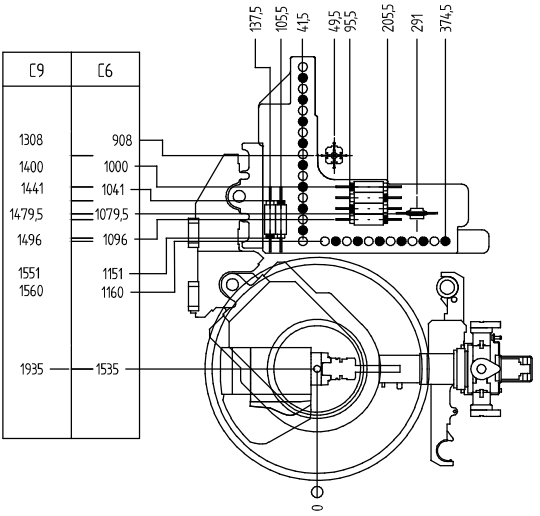


13. Rover C 6/9 (ATS-EPS) conf. 3 - A1/P2



	A	B	C	MAX
RV C6 40	3390	995	1535	1550
RV C6 50	4600	1600	1535	1550
RV C6 65	6200	2400	1535	1550
RV C9 40	3390	995	1935	1950
RV C9 50	4600	1600	1935	1950
RV C9 65	6200	2400	1935	1950



C9	C6
1308	908
1400	1000
1441	1041
1479.5	1079.5
1496	1096
1551	1151
1560	1160
1935	1535

- C6 1229.5 / C9 1629.5
 - C6 1261 / C9 1661
 - C6 1293 / C9 1693
 - C6 1502 / C9 1702
 - C6 1325 / C9 1725
 - C9 1794 / C6 1394
 - C6 1412 / C9 1812
 - C6 1421 / C9 1821
- CX
○ BX

