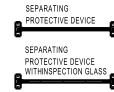
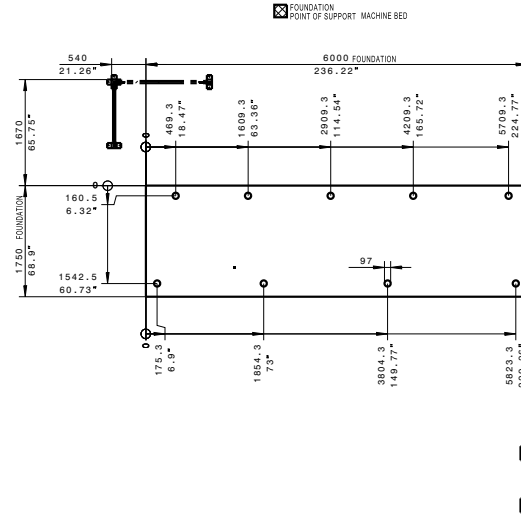
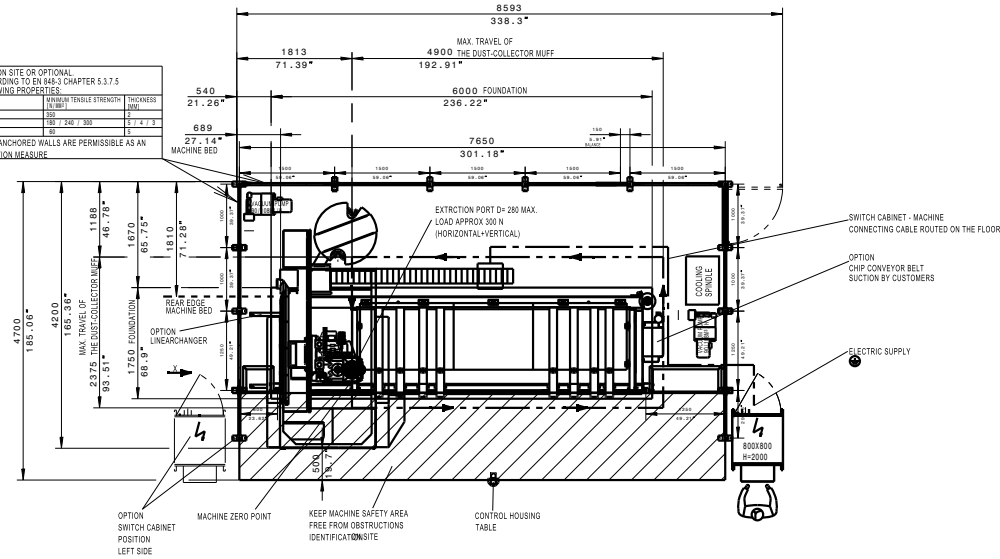


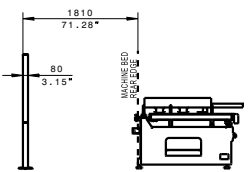
BARRIERS ON SITE OR OPTIONAL FACILITATED ACCORDING TO EN 845-3 CHAPTER 5.3.7.5 WITH THE FOLLOWING PROPERTIES:

MATERIAL	TENSILE STRENGTH (N/MM ²)	THICKNESS (MM)
STEEL	355	1.5
LIGHT METAL ALLOYS	180 / 240 / 300	1 / 1.4 / 1.8
PLASTIC/COMPOSITE	18	10

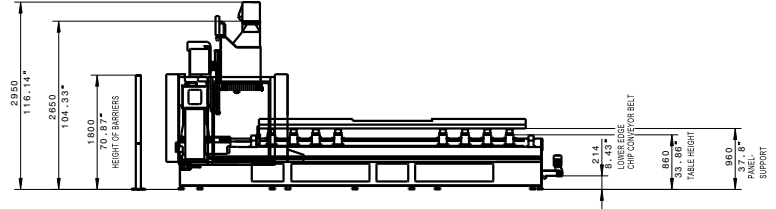
ONLY SECURELY ANCHORED WALLS ARE PERMISSIBLE AS AN ACCESS PREVENTION MEASURE



VIEW X



SCHEMATIC FRONT VIEW



TYPE OF MACHINE

BMG311 VENTURE 313L PERFORMANCE
BMG311 VENTURE 320L PERFORMANCE

WITHOUT OUR PERMISSION THIS DRAWING MUST NOT BE REPRODUCED NOR DUPLICATED NOR MADE ACCESSIBLE TO THIRD PARTIES OR COMPETITORS

ADDITIONAL COSTS IN CASE OF SWITCH CABINET MODIFICATION OR CHANGES TO THE GRID MODIFICATIONS HAVE TO BE NOTIFIED TO HOMAG WITHIN 10 DAYS AFTER THAT NO MODIFICATIONS ARE POSSIBLE ANY MORE WITHOUT THE SAFETY BARRIERS SUPPLIED BY HOMAG, WHICH ARE SHOWN IN THIS PLAN, THE PRODUCTION EQUIPMENT IS NOT CE-COMPLIANT, AND MUST THEREFORE NOT BE OPERATED.

TECHNICAL DATA

TOTAL DUST EXTRACTION CAPACITY APPROX.	m ³ /h (CFM)	6200 (3649,21)
PRESSURE LOSS APPROX.	Pa (INCH/WS)	2100 (17,87)
AVERAGE COMPRESSED AIR CONSUMPTION APPROX.	ML/MIN (CFM)	300 (10,59)
MAXIMUM COMPRESSED AIR CONSUMPTION	ML/MIN (CFM)	1500 (52,97)
VOLTAGE	V	200 220 380 400 415 480 500
TOTAL CONNECTED LOAD APPROX.	KW	28 28 28 28 28 28 28
NOMINAL CURRENT APPROX.	A	88 89 82 48 47 41 33
RECOMMENDED BACK-UP FUSE	A	100 100 63 50 50 50 50

- SURFACE PRESSURE IN THE AREA OF THE POINTS OF SUPPORT: 1.5 N/MM² (218 LBF/SQ INCH) HARDNESS CLASS OF CONCRETE >= C20/30 XC1
- NECESSARY FLOOR LOAD OF THE HALL GROUND IN THE AREA OF THE MACHINE IS INSTALLED NEXT TO A VIBRATION GENERATOR (E.G. PRESS. HIGH FORK LIFT ETC.). THE MACHINE BED MUST BE SURROUNDED BY A STYROFOR EXTENSION JOINT. NO UNDERFLOOR HEATING MUST BE INSTALLED IN THE MACHINE BASE AREA.
- BUILDING OR FOUNDATION GROUND CONNECTION VIA RIBBON FABRIC GROUNDING
- STOP: THIS EMC FUNCTIONAL GROUNDING IS REQUIRED FOR EMC-STANDARD COMPLIANCE. EMV - ERDUNTERSTANDUNG
- PROTECTIVE CIRCUIT IS ONLY PERMISSIBLE IN COMBINATION WITH AN ALL-CURRENT-SENSITIVE SELECTIVE SWITCH PROTECTIVE SWITCH
- CONNECTION FOR COMPRESSED AIR WITH HOSE 3/4" (INSIDE DIAMETER 19MM) SUPPLY
- AIR PRESSURE IN SUPPLY LINE MIN. 7 BAR (102 PSI) STANDARD COMPRESSED AIR QUALITY ACCORDING TO ISO 8573-1 QUALITY CLASS 3 SOLID IMPURITIES CLASS 3 WATER CONTENT CLASS 4 TOTAL OIL CONTENT CLASS 3

COMP. NO.	DATE	NAME	DESIGNATION	PLAN NO.
MATERIAL			Holzbearbeitungs-	
ROHMMASS			HOMAG systeme GmbH	
MAT. -NR.				
LAYOUT AND SUCTION PLAN				
CATIA A2			GEWICHT (kg)	
BL.			BL-2.	



BMG311 VENTURE320L

